



Undertile Heating

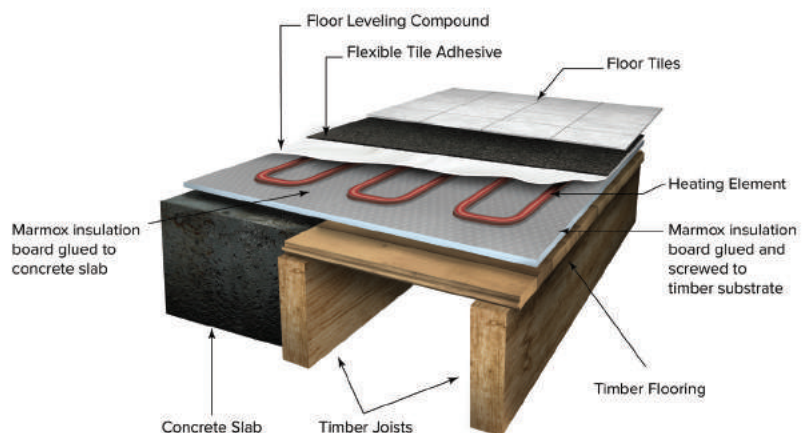
Ceramic, porcelain, terracotta, stone, slate, marble or wood - undertile heating makes your tiled floor feel as great as it looks. In fact it enhances the appearance of the whole room because there is no ugly hardware in sight. The heat from an undertile heating wire transfers to the floor surface quickly, warming the floor surface where you require it. If it wasn't for the lovely warm feeling in the room, you would never know it had been fitted.

Radiant heat is recommended by health professionals, especially for asthma sufferers.

Warmup's undertile heating system is a result of more than two decades of advanced research and development. Warmup brings you a new dimension in affordable, luxurious, effective heating which is simple to operate and maintenance-free.

Simply set your thermostat to the desired comfort level and feel the luxurious warmth.

To ensure optimal heat retention, consider installing with Marmox insulation boards - enquire with our sales team.



Undertile Heating with Marmox Insulation Board Installed on a Timber/Concrete Floor

Running Costs

Medium Bathroom	3m ² - 4m ²	\$0.30/kwatt/hr	4 hours per day	= \$0.60 / day
-----------------	-----------------------------------	-----------------	-----------------	----------------

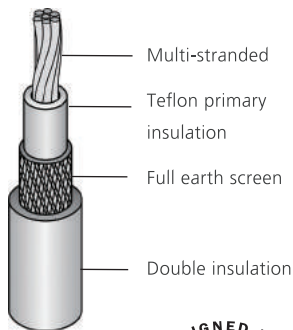
NOTE

Every 1°C reduction in the temperature setting of your thermostat will result in a 5% - 8% reduction in power usage and cost over 24 hours.

The calculation of running costs can only be approximate. The actual cost will depend on several considerations - user preferences, temperature and switch-on time setpoints, cost of energy etc.

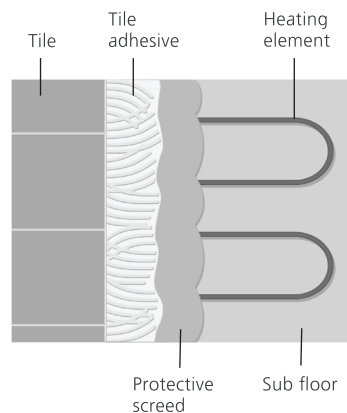
Technical Information

WIRE CROSS-SECTION

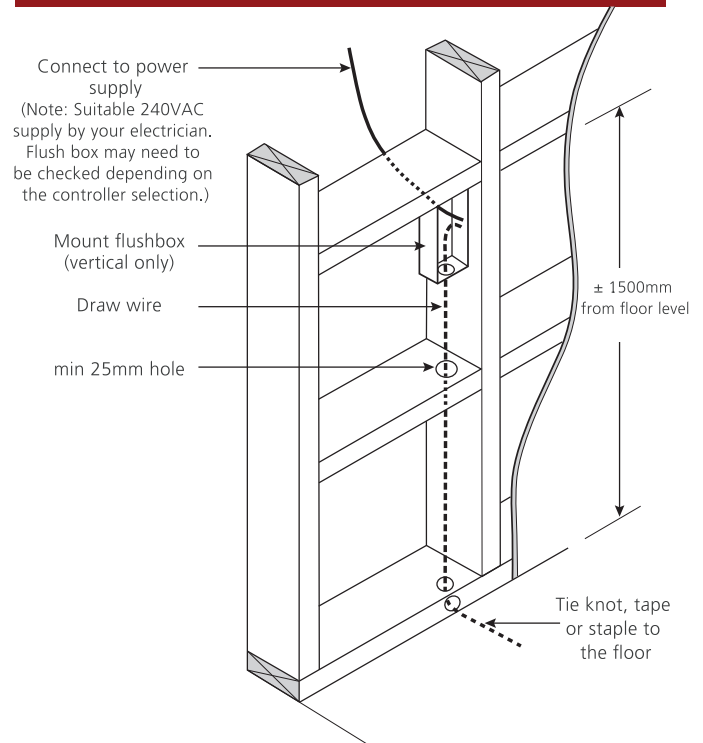


DESIGNED FOR
WET AREAS

INSTALLATION DIAGRAM



CROSS-SECTION OF PRE-WIRE REQUIREMENTS



Easy to install DIY kits

For Home-owners or trade professionals, Warmup offers undertile heating in easy-to-install DIY kits with full comprehensive installation instructions.

Kit contains

- Undertile heating element
- Adhesive spray
- UT tape
- Watchdog continuity alarm
- Installation manual

Undertile DIY kits are sold at participating retailers. Visit our website warmup.com.au for information.



Sizing Guide

CODE	COVERAGE AREA	WATTS
AU202UT	0.5m ² - 1.0m ²	200
AU302UT	1.0m ² - 2.2m ²	300
AU402UT	2.3m ² - 3.0m ²	400
AU502UT	3.0m ² - 4.0m ²	500
AU652UT	4.0m ² - 5.0m ²	650
AU802UT	5.0m ² - 6.0m ²	800
AU1002UT	6.0m ² - 7.5m ²	1000

CODE	COVERAGE AREA	WATTS
AU1252UT	7.5m ² - 9.0m ²	1250
AU1502UT	9.0m ² - 12.0m ²	1500
AU2002UT	13.5m ² - 16.0m ²	2000
AU2502UT	16.0m ² - 20.0m ²	2500
AU3002UT	20.0m ² - 24.0m ²	3000