



**Non-Programmable Thermostat**  
W3MTC-1991-WU (floor) & W3MTC-1999UCH (air)

**warmup**<sup>®</sup>

Underfloor heating | Tiled shower solutions

# Non-Programmable Models

## W3MTC-1991-WU & W3MTC-1999UCH

This is a simple ON/OFF thermostat giving reliable service to those who want the most straightforward kind of control. This electronic heating thermostat is designed to be flush mounted in a standard wall socket. Users know exactly what they get at all times - they simply set the desired temperature on the knob and switch the heating on or off.

Features include

**Remote floor sensor** which is designed to meet the standard requirements for comfort, safety and energy saving

**Locking mechanism** behind the control knob to limit the amount of adjustment possible.

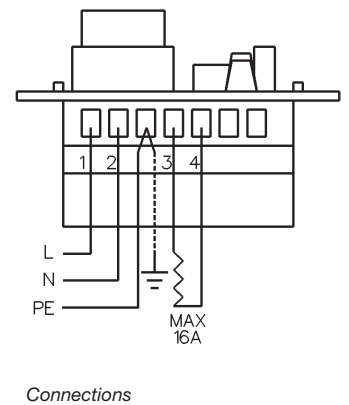
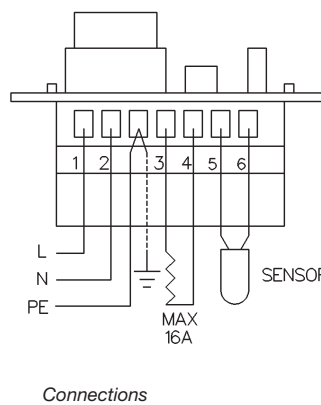
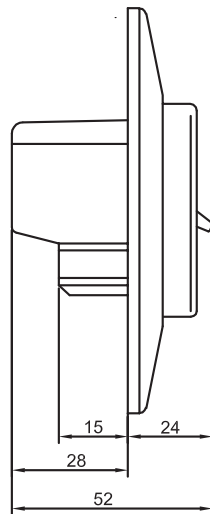
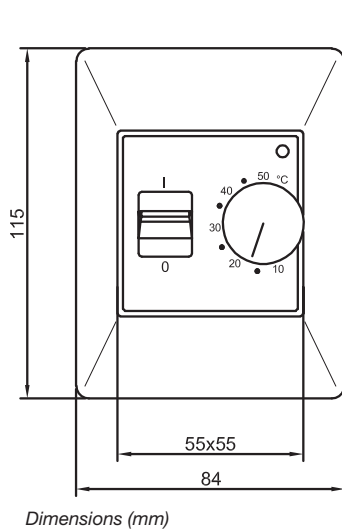
**The perfect solution** for budget-conscious users.



Model MTC

### Specifications

TEMPERATURE CONTROL	SWITCHING ACTION	DIMENSIONS (H/W/D)
On/Off Temperature settings 10 to 50°C	230-240 V 16 Amps ~ 50 Hz	115 x 84 x 52mm Fits over standard vertical flush box



### TECHNICAL DATA

Supply voltage	240 V AC $\pm 10\%$ 50/60 Hz
Maximum load	16A
Built-in interrupter	2 pole
Temperature range	10°C to 50 °C
On/Off differential	0.4 °C
Housing	IP20
Ambient temperature	0°C to 50 °C
Dimensions (H/W/D)	115/84/52mm

**warmup**<sup>®</sup>

Underfloor heating | Tiled shower solutions

Australia 1800 WARMUP (927 687) | warmup.com.au