



Non-Programmable Thermostat
W3MTC-1991-WU (floor) & W3MTC-1999UCH (air)

warmup[®]
Est. 1994

Underfloor heating | Tiled shower solutions

Non-Programmable Models

W3MTC-1991-WU & W3MTC-1999UCH

This is a simple ON/OFF thermostat giving reliable service to those who want the most straightforward kind of control. This electronic heating thermostat is designed to be flush mounted in a standard wall socket. Users know exactly what they get at all times - they simply set the desired temperature on the knob and switch the heating on or off.

Features include

Remote floor sensor which is designed to meet the standard requirements for comfort, safety and energy saving

Locking mechanism behind the control knob to limit the amount of adjustment possible.

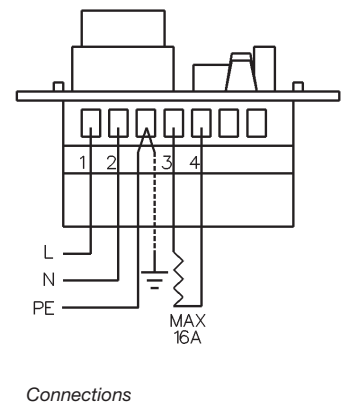
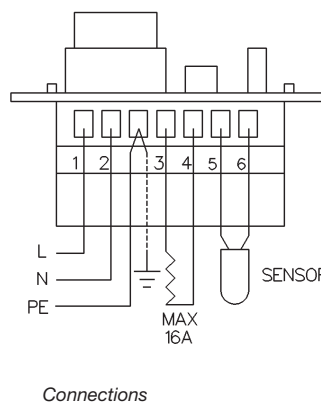
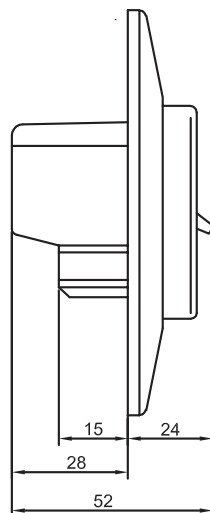
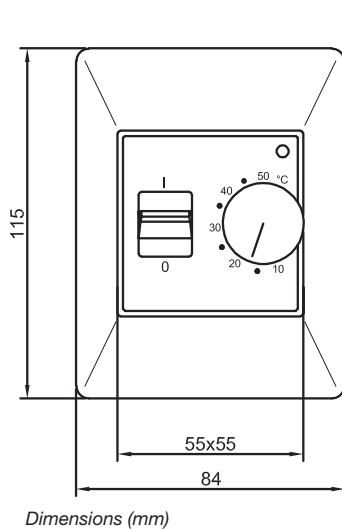
The perfect solution for budget-conscious users.



Model MTC

Specifications

TEMPERATURE CONTROL	SWITCHING ACTION	DIMENSIONS (H/W/D)
On/Off Temperature settings 10 to 50°C	230-240 V 16 Amps ~ 50 Hz	115 x 84 x 52mm Fits over standard vertical flush box



TECHNICAL DATA

Supply voltage	240 V AC $\pm 10\%$ 50/60 Hz
Maximum load	16A
Built-in interrupter	2 pole
Temperature range	10°C to 50 °C
On/Off differential	0.4 °C
Housing	IP20
Ambient temperature	0°C to 50 °C
Dimensions (H/W/D)	115/84/52mm

Warmup has heating experts and contractors nationwide, who will be pleased to provide more details on Warmup's products and services. To contact your local Warmup distributor or to arrange a free, no-obligation quotation, please call New Zealand: 0800 WARMUP (927 687) / Australia 1300 WARMUP (927 687)

warmup.co.nz | warmup.com.au

warmup[®]
Est. 1994

Underfloor heating | Tiled shower solutions